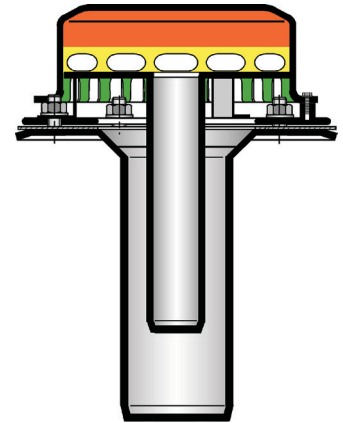


Specification sheet LX 1845

ZOB Roof drainage

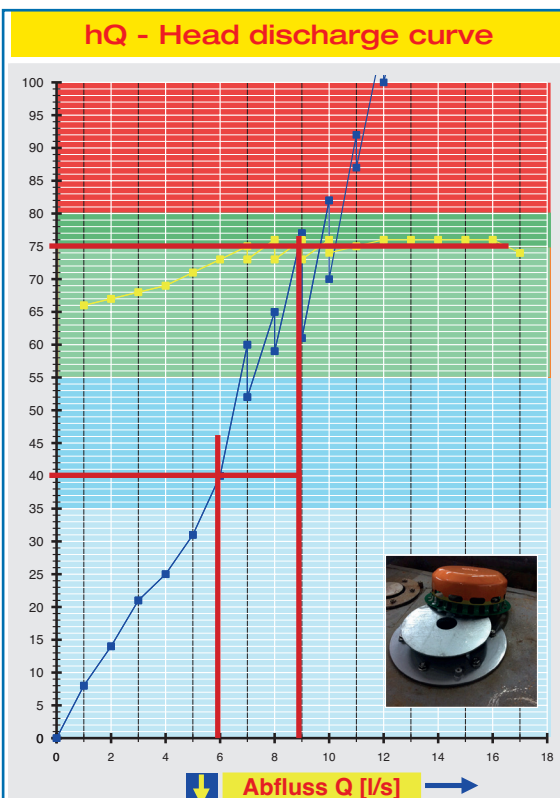
Series 84 Main emergency combination



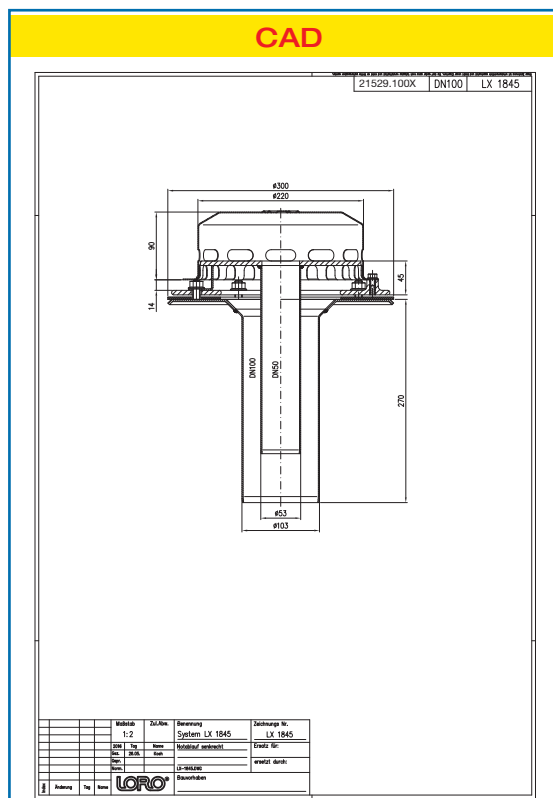
Main drainage		Emergency drainage	
Gravity flow		Gravity flow	
Silent		Silent Power	
Combination			
Discharge rate:	5,4 l/sec	Discharge rate:	3,4 l/sec
Water height:	35 mm	Water height:	75 mm
Diameter:	DN 100	Diameter:	DN 50
LX-Number:	LX 1845	LX-Number:	LX 1845
Weir height:	0 mm	Weir height:	40 mm
Drain:	not ventilated	Drain:	not ventilated
Downpipe:	not ventilated	Downpipe:	not ventilated
Downpipe height:	min 4,2 m	Downpipe height:	min 4,2 m
Drainage:	in sewer	Drainage:	on floor
Flange:	Clamping flange	Flange:	Clamping flange

LX 1845 Piece list

1 x Art.-No. 21529.100X, Main emergency combination roof drain



Systempower



Systemshape

Water height	mm	10	15	20	25	30	35	40	45	50	55	60	65	70	75	80	85	90	95
Discharge	l/sec	1,3	2,1	2,8	4,0	4,8	5,4	6,0	6,2	6,4	6,7	7,0	8,0	8,6	8,8	9,9	10,7	10,9	11,3
Silent																			

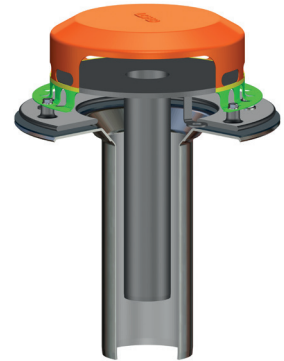
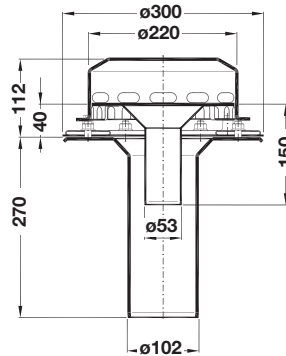
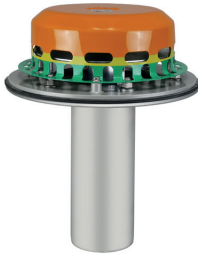
LORO-X Main emergency combination roof drain vertical, DN 100/50

LX1845-4X

Series 84

Drain Art.-No. 21529.100X
Weight: 7,2 kg

with clamping flange



LORO-X Pipe with long socket

- Emergency pipe (inner pipe),
made of galvanized steel, DN 50

length 500 mm Art.-No. 01302.050X
length 1000 mm Art.-No. 01203.050X
length 2000 mm Art.-No. 01108.050X



LORO-X Pipe with one socket

made of galvanized steel, **DN 100**
length 1000 mm Art.-No. 01201.100X
length 2500 mm Art.-No. 01004.100X



LORO-X Sealing elements

DN 50
Art.-No. 00911.050X
DN 100
Art.-No. 00911.100X



LORO-X Anchor clips

DN 100
Art.-No. 00806.100X



Heat tracing: LOROWERK recommends to check all drains and pipes with regard to their frost-sensibility. Where necessary, these parts should be upgraded with heat tracing.